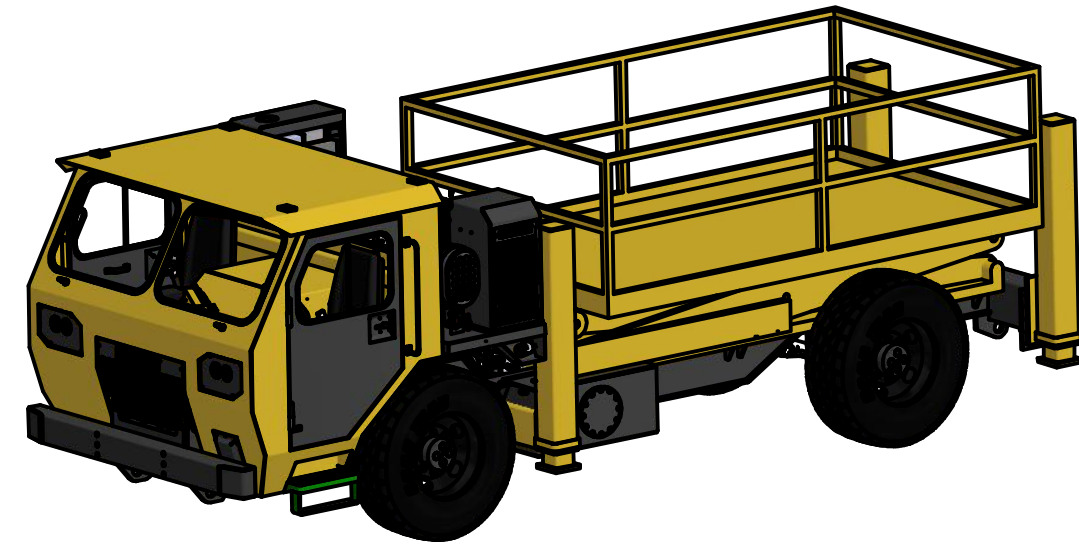
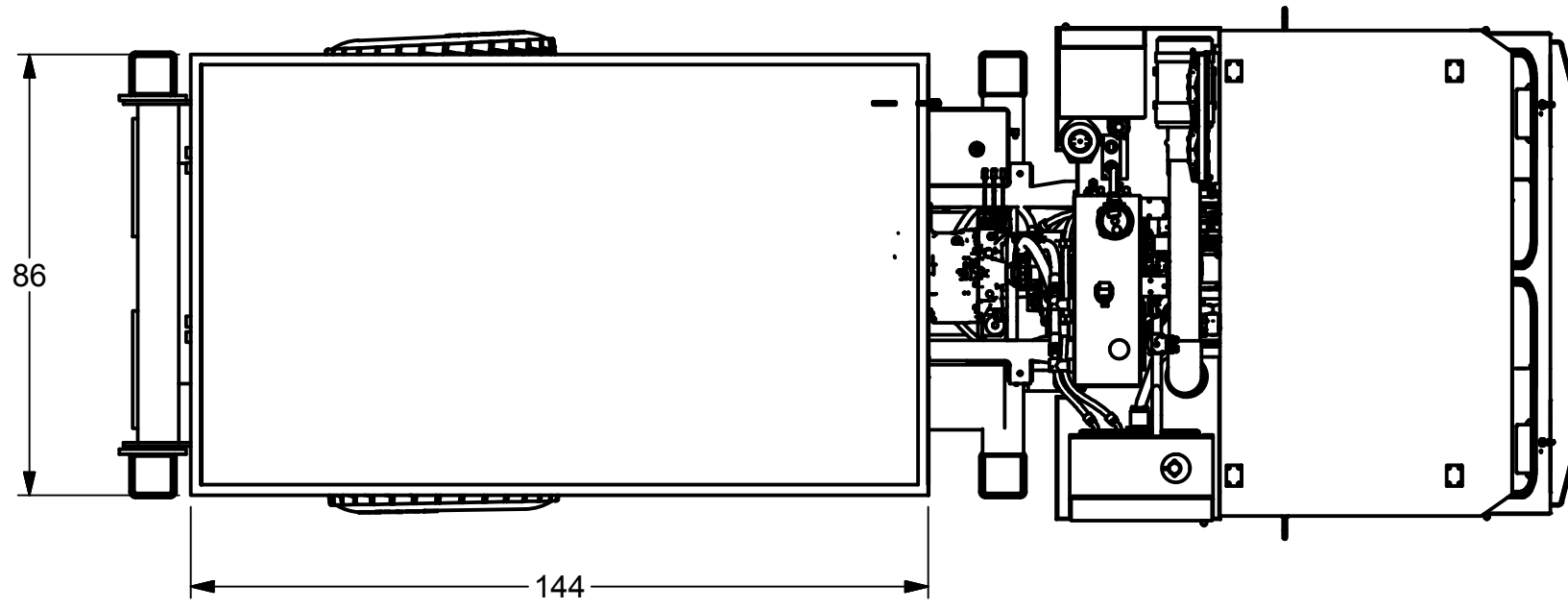


4 3 2 1

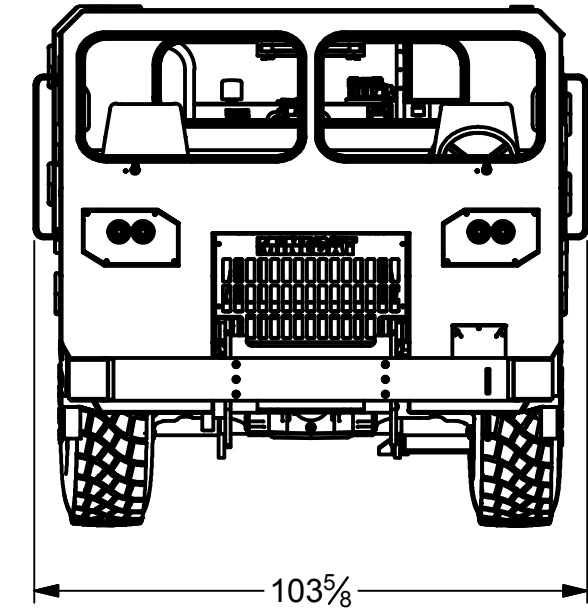
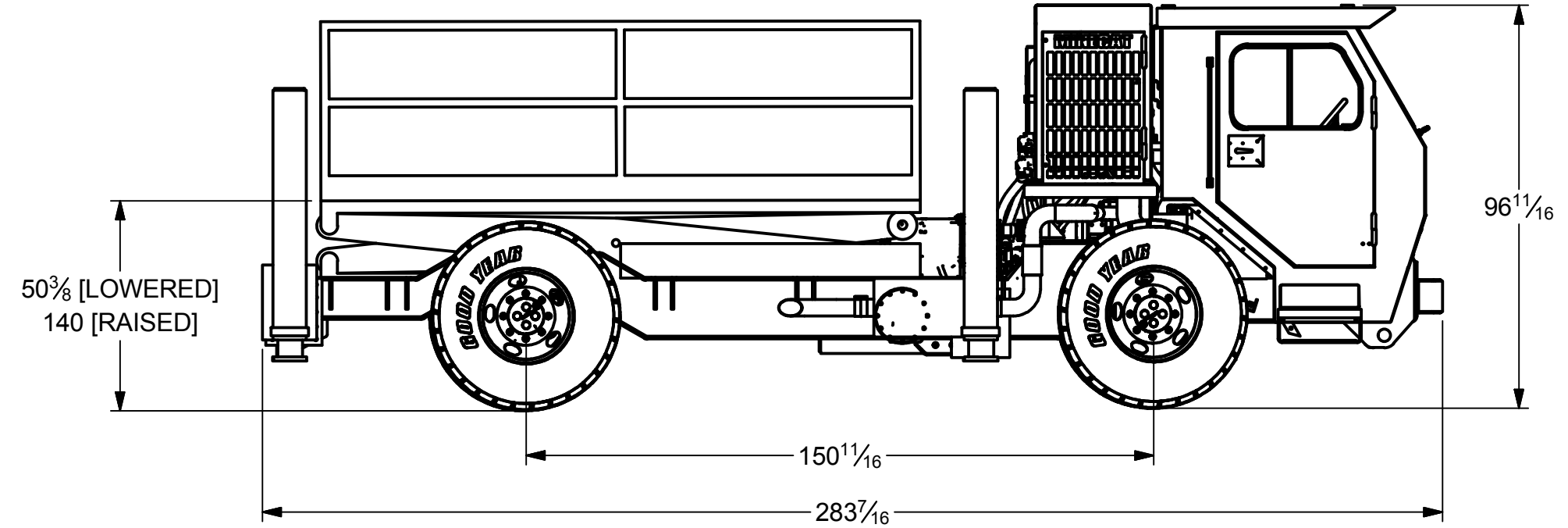
B

B



A

A



MAXIMUM CAPACITY: 6,000 Lbs.

Dwg By: G. LAROCQUE		
Dsgn By: P. BERUBE		
Chk By:		
Mat:		
Date: 9/23/16	Scale:	Size: B

THIRD ANGLE PROJECTION  
DO NOT SCALE DRAWING  
UNLESS OTHERWISE NOTED  
TOLERANCING IS AS FOLLOWS:  
FRACTIONAL = +/- 1/16  
1 DECIMAL = +/- .030  
2 DECIMAL = +/- .010  
3 DECIMAL = +/- .005  
ANGULAR = +/- 0.5°  
BREAK ALL SHARP EDGES



**Industrial Fabrication Inc.**  
Sudbury, Ontario, Canada  
P: (705) 523-1621  
F: (705) 523-0565  
www.minecat.com

Title: GENERAL ARRANGEMENT, CF240 SCISSOR	
Part No.: <b>IFIQ10002</b>	Rev:

4 3 2 1