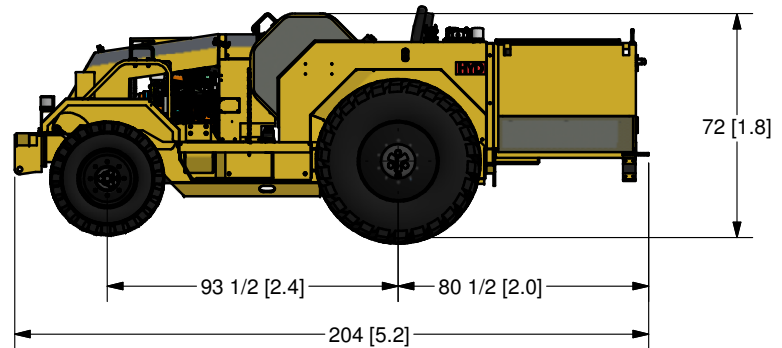
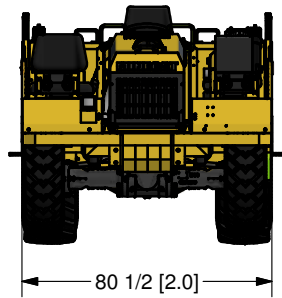
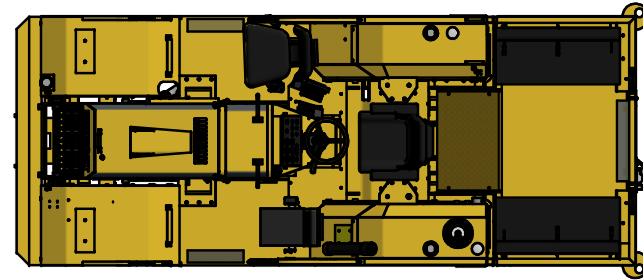
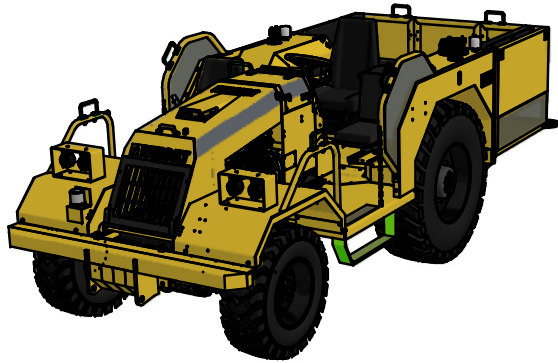


4

3

2

1



NOTE 1: DUE TO DESIGN UPGRADES
SOME DIMENSIONS AND COMPONENTS
MAY BE SUBJECT TO MINOR CHANGES

NOTE 2: OTHER OPTIONAL ACCESSORIES
ARE AVAILABLE

SCALE: MATERIAL:

DRAWN BY: T. LANGMAN

REVIEWED BY:

CHECKED BY:

DATE: 8/28/12

UNLESS OTHERWISE NOTED
TOLERANCING IS AS FOLLOWS:
FRACTIONAL = +/- 1/16
1 DECIMAL = +/- .030
2 DECIMAL = +/- .010
3 DECIMAL = +/- .005
BREAK ALL SHARP EDGES



**Industrial
Fabrication Inc.**
Sudbury, Ontario, Canada
Phone: (705) 523-1621
Fax: (705) 523-0565

TITLE
MINECAT MC 100G 7 MAN PC 2 BENCHES
GENERAL ARRANGEMENT

PART # IFIF99048

REV

4

3

2

1