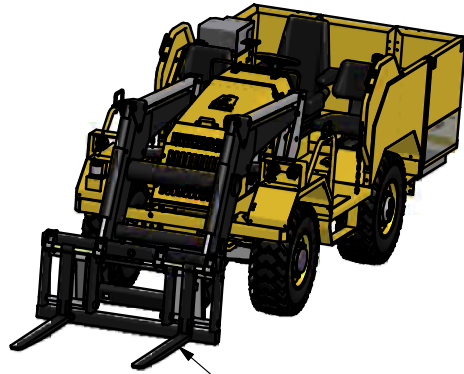


4

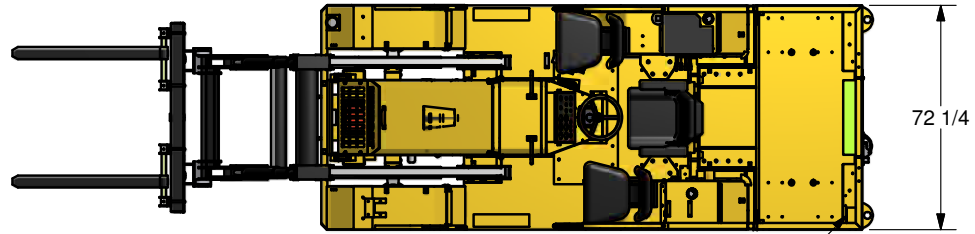
3

2

1

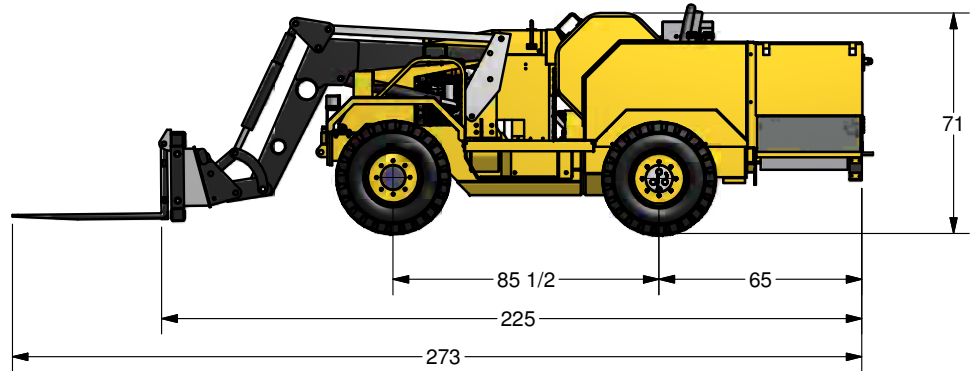
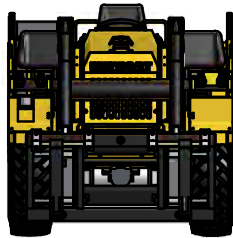


LOADER CAPACITY
3,200 lbs.



72 1/4

STROBE LIGHT
MOUNTING LOCATION



71

85 1/2

65

225

273

SCALE:

MATERIAL:

DRAWN BY: T. LANGMAN

REVIEWED BY:

CHECKED BY:

DATE: 12/17/2010

UNLESS OTHERWISE NOTED
TOLERANCING IS AS FOLLOWS:
FRACTIONAL = +/- 1/16
1 DECIMAL = +/- .030
2 DECIMAL = +/- .010
3 DECIMAL = +/- .005
BREAK ALL SHARP EDGES



**Industrial
Fabrication Inc.**
Sudbury, Ontario, Canada
Phone: (705) 523-1621
Fax: (705) 523-0565

TITLE NV 100 NARROW 3 MAN LOADER
GENERAL ARRANGEMENT

PART # IFID99216

REV

4

3

2

1

B

B

A

A